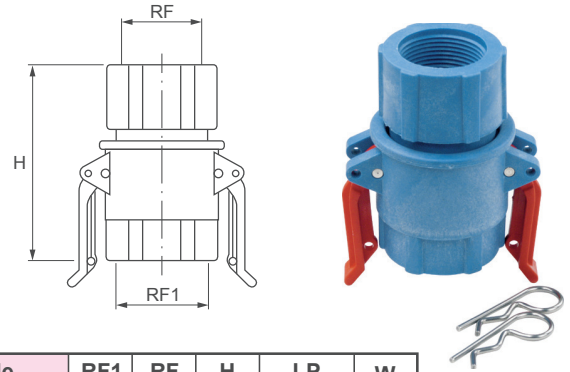


QUICK COUPLING JOINTS

ZSA quick coupling joints are a very popular solution for industrial facilities requiring ease of operation.

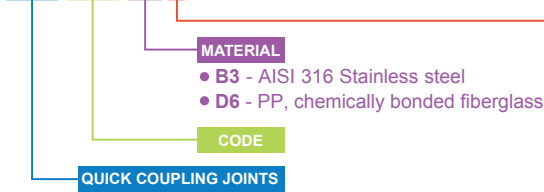
- Thread size 3/4", 1", 1 1/4", 1 1/2"
- Thread specification BSP, NPT
- Typical applications Cleaning equipment used in pre-treatment for coating process
Addition and release of liquids in chemical tankers
- Materials
 - Body **D6** PP, chemically bonded fiberglass
 - B3** AISI 316 Stainless steel
 - Lever **B31** AISI 316L Stainless steel, cast
 - B35** AISI 316 Stainless steel, sintered
 - D8** PVDF, Polyvinylidene fluoride
 - O-ring **E0** EPDM
 - E7** Viton
 - E8** NBR



Code	RF1 inch	RF inch	H mm	LP bar	W kg
ZSA 0075 B3x	3/4"	3/4"	85	15	*
ZSA 0100 B3x	1"	1"	73	15	
ZSA 0100 D6x			73	7	
ZSA 0125 B3x	1 1/4"	1 1/4"	110	15	
ZSA 0125 D6x				7	
ZSA 0150 D6x	1 1/2"	1 1/4"	110	6	
ZSA 0151 B3x	1 1/2"	1 1/2"	110	15	
ZSA 0151 D6x				6	

HOW TO MAKE UP THE PRODUCT CODE EX.: ZSA 0075 B3B

ZSA 0075 B3 x

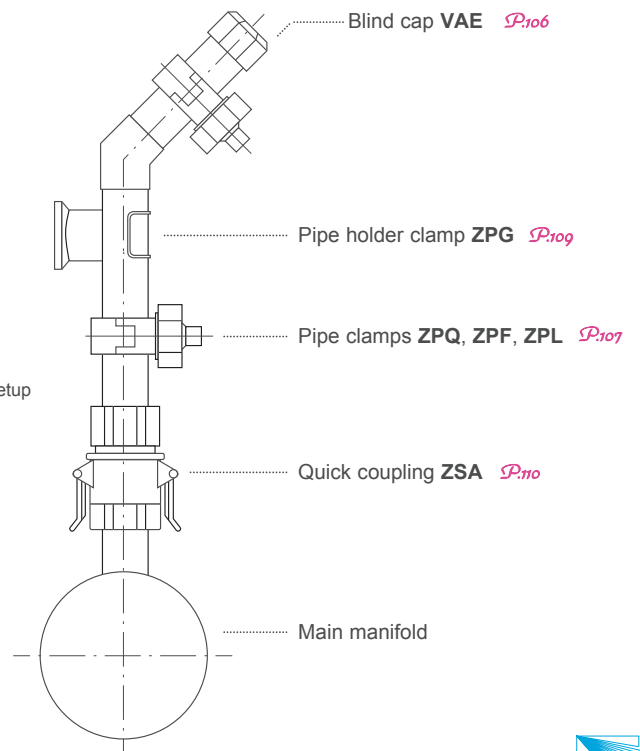
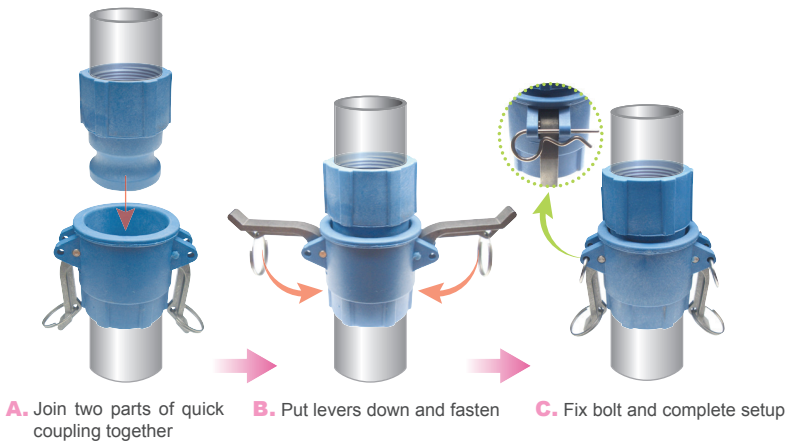


* Weight values for different materials are given on request.

X	Orientation	Lever material	O-ring	Rings
B	Fixed	AISI 316, sint	EPDM	AISI 316
C	Fixed	PVDF	EPDM	AISI 316
D	Fixed	PVDF	VITON	AISI 316
H	Fixed	AISI 316, sint	VITON	AISI 316
S	Free	AISI 316, sint	EPDM	AISI 316
T	Free	PVDF	EPDM	AISI 316
U	Free	PVDF	VITON	AISI 316
Y	Free	AISI 316, sint	VITON	AISI 316

QUICK COUPLING JOINTS

QUICK COUPLING JOINTS - INSTALLMENT



QUICK FITTING RISERS AND HEADER MANIFOLDS

Our range of products for surface pre-treatment plants is the most complete on the market and has been developed in collaboration with the most important system manufacturers on a worldwide basis. PNR has designed most of the assembly accessories commonly adopted today in pre-treatment plants.

Right figure shows the installment steps. Quick couplings and pipe holder clamps can be quickly assembled and disassembled in seconds to minimize maintenance and shut-off time.