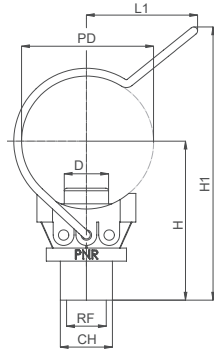
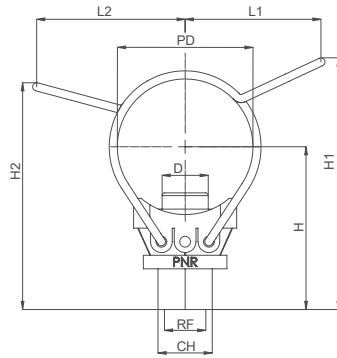




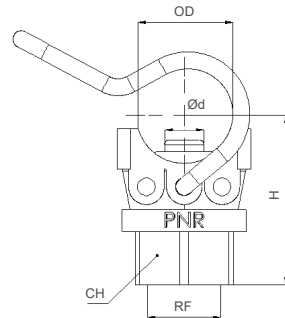
ZPN Single spring



ZPN Double spring
Better stability



ZPN MINI Single spring



SPRING PIPE CLAMPS

ZPN spring clamps provide quick connection of 3/8" and 1/2" male threaded nozzles to 1 1/2" pipes. Geometrical characteristics of ZPN are same as ZPL in connection pipe side. Single or double spring versions are available. ZPN pipe clamps are widely used in pre-treatment for coating process.

- **Typical application** Cleaning equipment used in pre-treatment for coating process
- **Max working temperature** **LT** 80°C
- **Max working pressure** Single spring 3 bar
Double spring 7 bar
- **Material** Body **D6** PP, chemically bonded fiberglass
Spring **N1** AISI 302 Stainless steel
O-ring **B31** AISI 316L Stainless steel
E8 NBR

MINI SPRING PIPE CLAMPS

ZPN MINI spring clamps provide quick connection of 1/8", 1/4", 3/8" and 1/2" female threaded to 1/2", 3/4" and 1" pipes. It's enough make one hole on pipe, insert the clamp with the seal and fix to pipe with the spring. Up to now, only single spring model is available. Models are made of different colours, depending on pipe size (yellow clamp for pipe size 1/2", green clamp for pipe size 3/4", blue clamp for pipe size 1").

- **Typical application** Cleaning equipment used in pre-treatment for coating process
- **Max working temperature** **LT** 80°C
- **Max working pressure** **LP** 5 bar
- **Material** Body **D6** PP, chemically bonded fiberglass
Spring **B3** AISI 316 Stainless steel
O-ring **E8** NBR

Code and dimension for ZPN mini

Code	RF poll	OD poll	Ød mm	CH mm	H mm	Colour
ZPN E050 D6AMA	1/8" F	1/2"	9.00	16	38.0	Yellow
ZPN E050 D6BMA	1/4" F	1/2"	9.00	18	38.0	
ZPN E050 D6CMA	3/8" F	1/2"	9.00	22	38.0	
ZPN E050 D6DMA	1/2" F	1/2"	9.00	24	38.0	
ZPN D075 D6AMA	1/8" F	3/4"	11.0	16	41.0	Green
ZPN D075 D6BMA	1/4" F	3/4"	11.0	18	41.0	
ZPN D075 D6CMA	3/8" F	3/4"	11.0	22	41.0	
ZPN D075 D6DMA	1/2" F	3/4"	11.0	24	41.0	
ZPN F100 D6AMA	1/8" F	1"	13.0	16	45.0	Blue
ZPN F100 D6BMA	1/4" F	1"	13.0	18	45.0	
ZPN F100 D6CMA	3/8" F	1"	13.0	22	45.0	
ZPN F100 D6DMA	1/2" F	1"	13.0	24	45.0	

Code and dimension for ZPN

Code	RF poll	PS		PD mm	D mm	CH mm
		poll	DN			
ZPN B151 D6C1	3/8" F	1 1/2"	DN40	48.2 - 50.0	17.0	20
ZPN B151 D6D1	1/2" F	1 1/2"	DN40	48.2 - 50.0	17.0	26
ZPN B151 D6C2	3/8" F	1 1/2"	DN40	48.2 - 50.0	17.0	20
ZPN B151 D6D2	1/2" F	1 1/2"	DN40	48.2 - 50.0	17.0	26

HOW TO MAKE UP THE PRODUCT CODE

ZPN

ZPN **B** **151** **D6** **X** **Y** **Z**

- CLAMP TYPE** **B** - Ø 17 mm
- PIPE SIZE** **151** - 1-1/2"
- MATERIAL** **D6** - PP, chem. bonded fiberglass
- CONNECTION** **X** - C - 3/8" F (BSPP)
Y - D - 1/2" F (BSPP)
- SPRING NUMB.** **1** - Single spring
2 - Double spring
- SPRING MAT.** **A** - AISI 316L Stainless steel
-- - AISI 302 Stainless steel

HOW TO MAKE UP THE PRODUCT CODE

ZPN MINI

ZPN **E** **050** **D6** **X** **Y** **Z**

- CLAMP TYPE** **E** - Ø 9 mm
D - Ø 11 mm
F - Ø 13 mm
- PIPE SIZE** **050** - 1/2"
075 - 3/4"
100 - 1"
- MATERIAL** **D6** - PP, chem. bonded fiberglass
- CONNECTION** **A** - 1/8" F (BSPP)
B - 1/4" F (BSPP)
C - 3/8" F (BSPP)
D - 1/2" F (BSPP)
- VERSION** **M** - Mini, single spring
- SPRING MAT.** **A** - AISI 316 Stainless steel