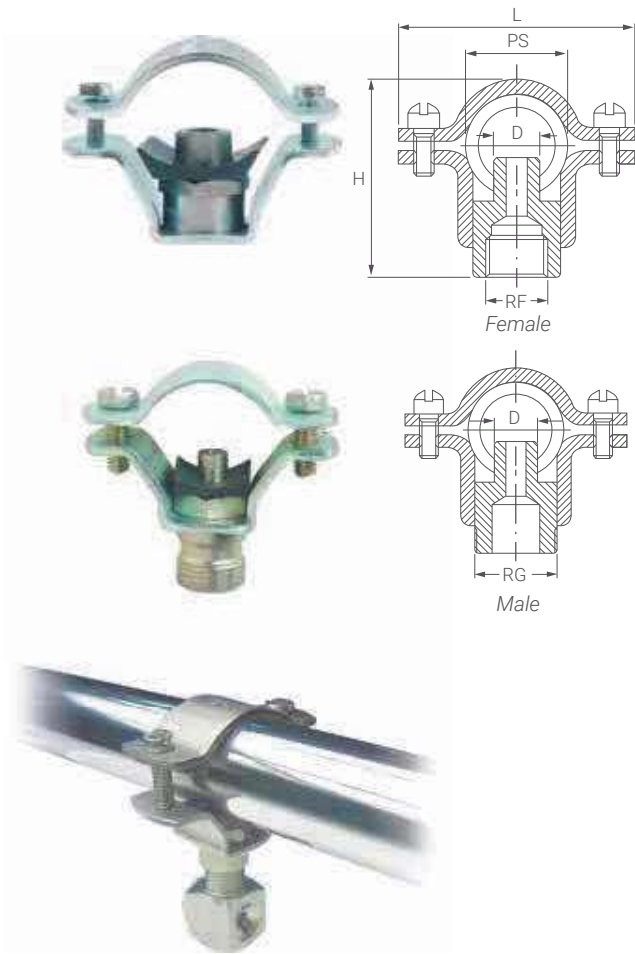


ZPM (METAL PIPE CLAMPS)



ZPM Metal clamps
+
PF Hollow cone nozzle

METAL PIPE CLAMPS

ZPM metal pipe clamps are suitable for a quick, easy and safe instalment of various types of nozzles on pipes.

They can be fit into a pipe simply by making a hole on it. As it's not necessary to thread thick pipes or weld the nozzles, these clamps assure a relevant time and costs saving.

THREAD SIZE	1/8", 1/4", 3/8", 1/2"
CONNECTION	BSP, NPT
TYPICAL APPLICATIONS	Pre-treatment for coating process Exhaust Scrubber
PIPE SIZE	PS 1/2", 3/4", 1", 1 1/4", 1 1/2", 2", 2 1/2"
MAX WORKING TEMPERATURE	LT 80 °C
MAX WORKING PRESSURE	LP 20 bar
MATERIAL	Body Screws Nipples Gasket
	B2 AISI 304 Stainless Steel A8 Zinc coated steel B2 AISI 304 Stainless Steel B31 AISI 316L Stainless Steel T1 Brass E0 EPDM

CODE	PS inch	RF/RG inch	LP bar	LQ l/min	D mm	H mm	L mm
ZPM 0050 xxAW	1/2"	1/8"	17	11	7	40	49
ZPM 0050 xxBW		1/4"					
ZPM 0050 xxUW		3/8"				48	
ZPM 0075 xxAW	3/4"	1/8"	17	11	7	45	58
ZPM 0075 xxBW		1/4"					
ZPM 0075 xxUW		3/8"				53	
ZPM 0100 xxAW	1"	1/8"	17	11	7	45	65
ZPM 0100 xxBW		1/4"					
ZPM 0100 xxUW		3/8"				53	
ZPM 0125 xxYW	1 1/4"	1/4"	9	45	18	68	71
ZPM 0125 xxYW		3/8"					
ZPM 0125 xxYW		1/2"					
ZPM 0150 xxYW	1 1/2"	1/4"	9	45	18	72	90
ZPM 0150 xxYW		3/8"					
ZPM 0150 xxYW		1/2"					
ZPM 0200 xxYW	2"	1/4"	9	45	18	85	100
ZPM 0200 xxYW		3/8"					
ZPM 0200 xxYW		1/2"					
ZPM 0250 xxYW	2 1/2"	1/4"	9	45	18	110	118
ZPM 0250 xxYW		3/8"					
ZPM 0250 xxYW		1/2"					

CODE COMPLEMENTS

Ex.: ZPM 0050 A8 AA

Replace xx and YW in the above codes as shown below

NOTE: Nipple thread (letter Y) can be 3/8" BSP F (letter C) or 1/2" BSP F (letter D) only for pipe sizes (PS in the above table) equal or grater than 1-1/2".

ZPM 0050 xx Y W

XX	FOR CLAMP MATERIAL	Y	FOR NIPPLE THREAD	W	FOR NIPPLE MATERIAL
A8	Zinc coated steel	A	1/8" BSP Female	A	Brass
B2	AISI 304	B	1/4" BSP Female	B	AISI 303
		C	3/8" BSP Female	C	AISI 316L
		D	1/2" BSP Female		
		U	3/8" BSP Male		