

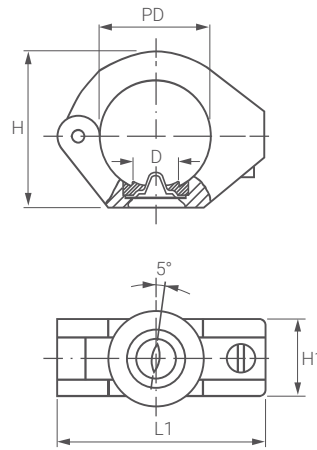
## ( DISK NOZZLE PIPE CLAMP ) ZPH

### DISK NOZZLE PIPE CLAMP

ZPH pipe clamps are specially designed for the quick and easy instalment of disc nozzles onto pipes. These clamps are very convenient as there's no need to buy expensive metal tips or welded nozzle tips.

You must drill a 19 mm diameter hole on the pipe, insert the clamp into it and fix it with screws. Their design, which allows to position the disc nozzles with a 5° offset angle, assures a proper jet orientation. These clamps avoid spray jets interference and are ideal for nozzles cleaning steel brushes.

MAX WORKING TEMPERATURE	LT	90°C
MAX WORKING PRESSURE	LP	7 bar
FITTING DIMENSIONS	Outer pipe diameter	50 mm
	Inner pipe diameter	47 mm
	Feed hole	19 mm
MATERIAL	Fascetta	<b>D6</b> PP, chemically bonded fiberglass
	Perno, vite	<b>B3</b> AISI 316 Stainless Steel
TYPICAL APPLICATION		Paper machines self-cleaning pipes



CODE	PD mm	D mm	H mm	H1 mm	L1 mm
ZPH 0150 D6	52	19	70	34	91

HOW TO MAKE UP THE PRODUCT CODE Ex.: ZPH 0150 D6



### LOCKNUTS

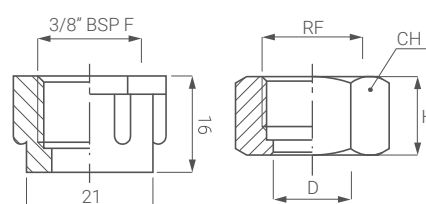
VAA locknuts in steel or brass are mounted on all ZAA, ZAC, ZLA and ZPB nipples to fix various types of nozzles. The VAA 0380 D6B locknut, on the other hand, is used with the ZPB clamp.

CODE	RF inch	D mm	H mm	WS mm	Material	
					Plastic	Metal
VAA 0380 xxB	3/8"	12.9	12	22	•	•
VAA 0381 xxB	3/8"	12.5	15	22		•
VAA 0750 xxB	3/4"	20.5	16	32		•
VAA 1250 xxB	1 1/4"	32.5	27	50		•

HOW TO MAKE UP THE PRODUCT CODE Ex.: VAA 0380 B1B



## ( LOCKNUTS ) VAA



VAA 0380 D6B

