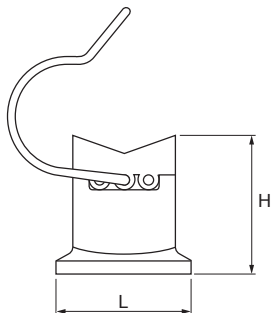
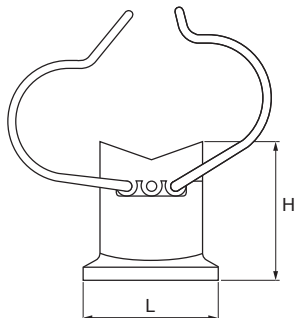




Single spring



Double spring



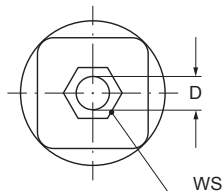
PIPE HOLDERS

ZPG pipe holders are a user-friendly and convenient solution for fixing spray manifolds onto tunnels walls in surface treatment plants. They are easy to assemble, excellent fastening and low cost. The single spring type is suitable for plastic holder whereas the double spring version is meant for metallic pipe holders.

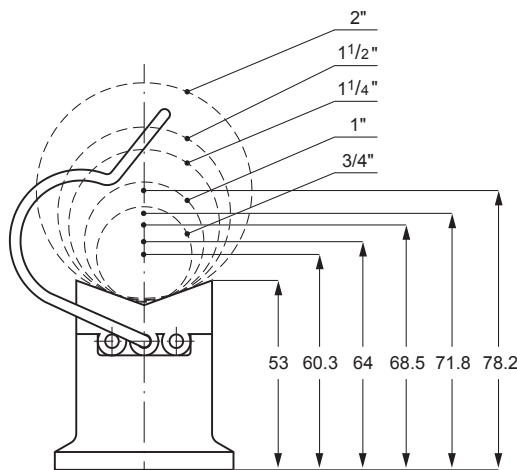
- Typical application: Cleaning equipment used in pre-treatment for coating process
- Pipe size: PS 3/4", 1", 1 1/4", 1 1/2", 2"
- Materials: Body D6 PP, chemically bonded fiberglass; Springs N1 AISI 302 Stainless steel, heat treated

Code		PS	D	H	L	WS	W
Single spring	Double spring	inch	mm	mm	mm	mm	g
ZPG 1075 D6	ZPG 2075 D6	3/4"	11	53	50	17	72
ZPG 1100 D6	ZPG 2100 D6	1"					72
ZPG 1125 D6	ZPG 2125 D6	1 1/4"					90
-	ZPG 2150 D6	1 1/2"					90
-	ZPG 2200 D6	2"					110

Weight values are based on the double spring version



ZPG body is designed to be fastened to the tunnel wall by means of one M10 bolt with 17 mm hexagonal head.



The drawing shows the distances of the pipe central axis from the wall for different pipe sizes assembled onto the pipe holder.

HOW TO MAKE UP THE PRODUCT CODE

EX.: ZPG 1075 D6

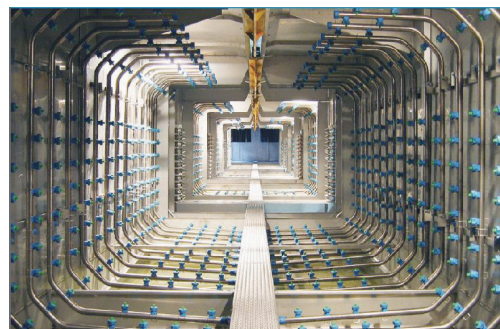
ZPG 1075 D6

MATERIAL ● D6 - PP, chemically bonded fiberglass

- PIPE CODE**
- 075 - 3/4"
 - 100 - 1"
 - 125 - 1 1/4"
 - 150 - 1 1/2"
 - 200 - 2"

CLAMP CODE ● 1 - Single spring
● 2 - Double spring

PIPE HOLDERS



The above photo shows a European top coating plant using our products