

DISK NOZZLE PIPE CLAMP

ZPH pipe clamps are specially designed for the quick and easy instalment of disc nozzles onto pipes.

These clamps are very convenient as there's no need to buy expensive metal tips or welded nozzle tips.

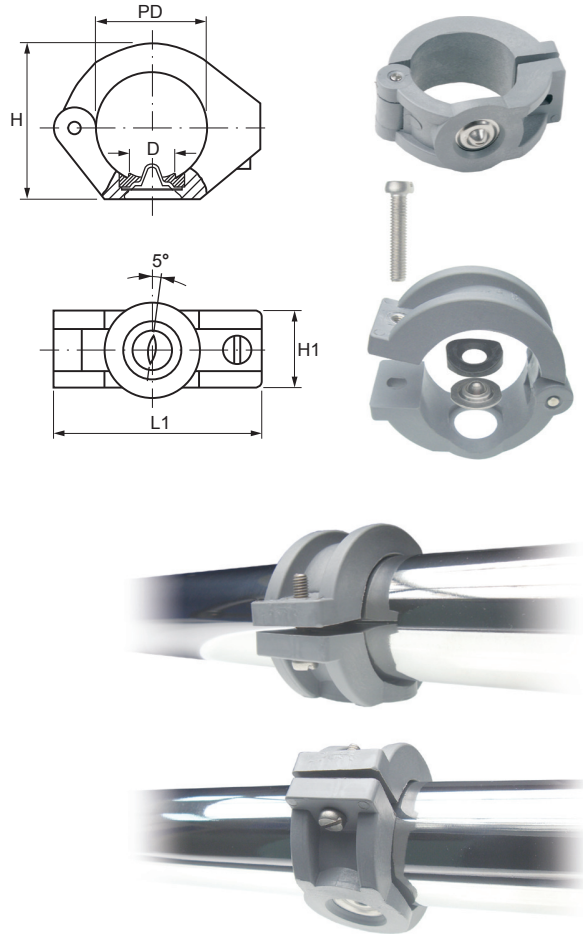
You must drill a 19 mm diameter hole on the pipe, insert the clamp into it and fix it with screws.

Their design, which allows to position the disc nozzles with a 5° offset angle, assures a proper jet orientation. These clamps avoid spray jets interference and are ideal for nozzles cleaning steel brushes.

- Max working temperature **LT** 80°C
- Max working pressure **LP** 7 bar
- Fitting dimensions
 - Outer pipe diameter **50 mm**
 - Inner pipe diameter **47 mm**
 - Feed hole **19 mm**
- Materials
 - Clamp **D6** PP, chemically bonded fiberglass
 - Pin, bolt **B3** AISI 316 Stainless steel
- Typical application Paper machines self-cleaning pipes

Code	OD mm	D mm	H mm	H1 mm	L1 mm
ZPH 0150 D6	52	19	70	34	91

HOW TO MAKE UP THE **PRODUCT CODE** EX.: ZPH 0150 D6

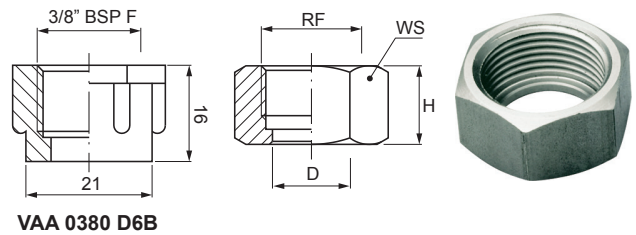


(LOCKNUTS) **VAA**

LOCKNUTS

VAA locknuts go with ZAA, ZAC, ZLA and ZPB to fix different nozzles.

Code	RF inch	D mm	H mm	WS mm	Material	
					Plastic	Metal
VAA 0380 xxB	3/8"	12.9	12	22	•	•
VAA 0381 xxB	3/8"	12.5	15	22		•
VAA 0750 xxB	3/4"	20.5	16	32		•
VAA 1250 xxB	1 1/4"	32.5	27	50		•



HOW TO MAKE UP THE **PRODUCT CODE** EX.: VAA 0380 B1B

