

## UMW SERIES HIGH PRESSURE GUNS

UMW series spray guns are specially designed for high pressure cleaning. The main features are: light weight and easy to handle, heavy duty durability, high temperatures and high pressures resistant, low failure rate, low price. They can be supplied with a variety of pressure hoses and nozzles for all types of cleaning requirements. UMW spray guns are widely and successfully used in car washing and many other industrial applications.

■ Typical applications

Products cleaning  
Equipment cleaning  
Vehicles cleaning

■ Materials

Body  
Inside parts

**D4** Nylon, Glassfibers reinforced  
**B1** AISI 303 Stainless steel  
**C3** AISI 440 Stainless steel, hardened  
**T1** Brass

**UMW 0010 D4** series economical and efficient spray guns are widely applied in industrial high pressure cleaning and car wash.

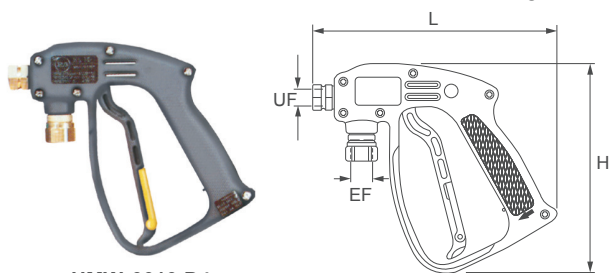
- Nominal pressure 200 bar
- Max operation pressure **LP** 220 bar
- Max operation temperature **LT** 160 °C
- Max capacity **LQ** 30 l/min

Code	Inlet thread size EF	Outlet thread size UF	H mm	L mm	W kg
<b>UMW 0010 D4</b>	3/8"	1/4"	162	185	0.27

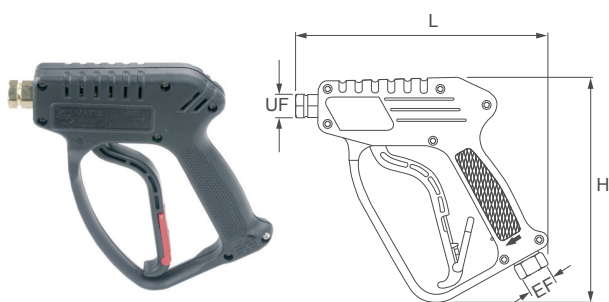
**UMW 0020 D4** guns are suitable for heavy duty applications. They are light and have an ergonomical easy-grip handle. These spray guns are highly appreciated for operations requiring high pressure and large capacity.

- Nominal pressure 310 bar
- Max operation pressure **LP** 350 bar
- Max operation temperature **LT** 160 °C
- Max capacity **LQ** 40 l/min

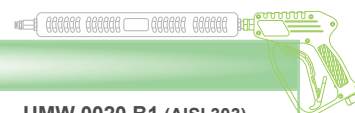
Code	Inlet thread size EF	Outlet thread size UF	H mm	L mm	W kg
<b>UMW 0020 D4</b>	3/8"	1/4"	183	202	0.78



UMW 0010 D4

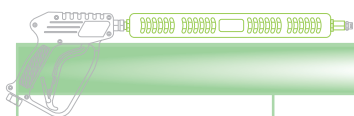


UMW 0020 D4



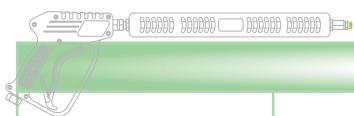
## HIGH PRESSURE GUNS

Code	UMW 0020 D4 (Brass) Standard high pressure gun	UMW 0021 D4 (Brass) Swivel high pressure gun	UMW 0020 B1 (AISI 303) Sanitary high pressure gun
Appearance			
Code	<b>UMW 0020 D4</b>	<b>UMW 0021 D4</b>	<b>UMW 0020 B1</b>
Inlet thread size	3/8" BSP Female	3/8" BSP Female	3/8" BSP Female
Outlet thread size	1/4" BSP Female	1/4" BSP Female	1/4" BSP Female
Max operating pressure	350 bar	280 bar	280 bar
Max operating temperature	160°C	160°C	160°C
Max capacity	40 l/min	40 l/min	40 l/min
Inner parts	Brass	Brass	AISI 303
Outside shell	PP, chemically bonded fiberglass	PP, chemically bonded fiberglass	PP, chemically bonded fiberglass
Weight	0.78 kg	0.78 kg	0.83 kg
Swivel	✗	✓	✗
Security lock	✓	✓	✓



**HIGH PRESSURE LANCE**

<b>Appearance</b>			
<b>Code</b>	<b>UMW 0038 A8</b>	<b>UMW 0045 B2</b>	<b>UMW 0047 B2</b>
<b>Liquid inlet diameter</b>	1/4" BSPT Male	1/4" BSPT Male	1/4" BSPT Male
<b>Liquid outlet diameter</b>	1/4" BSP Female	1/4" BSP Female	1/4" BSP Female
<b>Max operating pressure</b>	280 bar	280 bar	200 bar
<b>Max operating temper.</b>	160°C	160°C	160°C
<b>Spray lance</b>	Zinc coated steel	AISI 304	AISI 304
<b>Shank</b>	Brass	AISI 303	AISI 303
<b>Plastic material</b>	PP, chemically bonded fiberglass	PP, chemically bonded fiberglass	PP, chemically bonded fiberglass
<b>Length</b>	380 mm	1200 mm, 1500 mm 1700 mm, 2000 mm	700 mm
<b>Weight</b>	0.4 kg	0.9 kg, 1.1 kg, 1.3 kg, 1.4 kg	0.56 kg



**HIGH PRESSURE NOZZLES**

<b>Appearance</b>			
<b>Code</b>	<b>F series high pressure nozzles</b>	<b>UMW 0050 B2</b>	<b>UMW 0060 D2</b>
<b>Spray pattern</b>	Straight / Flat fan (Fixed)	Straight / Flat fan (Free)	High pressure water (360°)
<b>Spray angle</b>	0°, 15°, 25°, 40°, 65°	0° ~ 40°	40°
<b>Capacity</b>	3.4 ~ 68.2 l/min at 100 bar	10.3 l/min at 100 bar	6.86 ~ 18.1 l/min at 100 bar
<b>Thread size</b>	1/4" BSP Male	1/4" BSP Female	1/4" BSP Female
<b>Min operating pressure</b>	--	--	80 bar
<b>Max operating pressure</b>	500 bar	280 bar	250 bar
<b>Max operating temper.</b>	600°C	90°C	100°C
<b>Nozzle material</b>	AISI 416	AISI 420	AISI 420
<b>Shank</b>	--	Brass	Brass
<b>Plastic material</b>	--	PP, chemically bonded fiberglass	PP, chemically bonded fiberglass