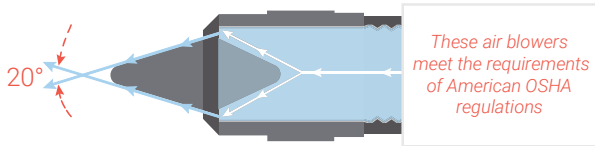
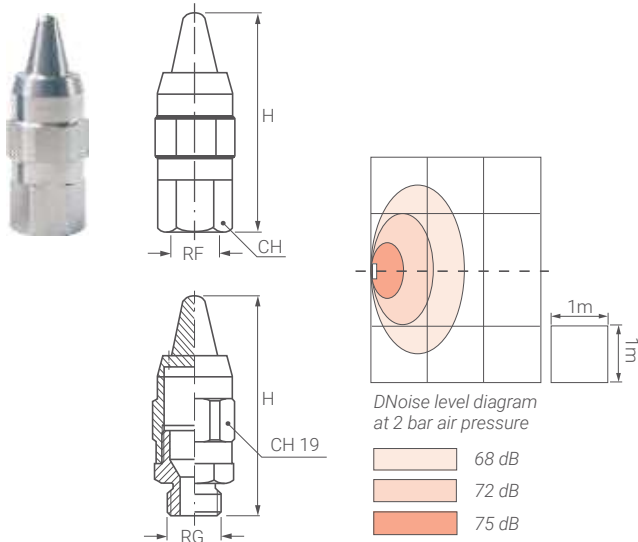


UEA D020 (FULL CONE NOZZLES)



AIR BLOW-OFF NOZZLES, ROUND JET

UEA D020 compressed air blowing nozzles produce a powerful air jet concentrated on a well defined impact point. They are specially designed for deep and blind holes drying, produce lower noise and reduce pressure loss.

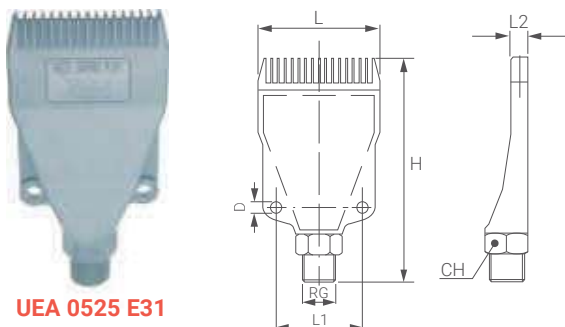
THREAD SIZE 1/4"
 THREAD SPECIFICATION BSP, NPT
 MATERIAL **V7** Aluminium, electroless nickel plated
B31 AISI 316L Stainless steel
 TYPICAL APPLICATIONS Water removal from surfaces
 Flocks and water blow off

CODE	RF inch	Air capacity (Nm ³ /hour) at different pressure values (bar)					H mm	WS mm
		2.0	3.0	4.0	5.0	6.0		
UEA D020 xx yy	1/4"	15	20	25	31	35	55	17

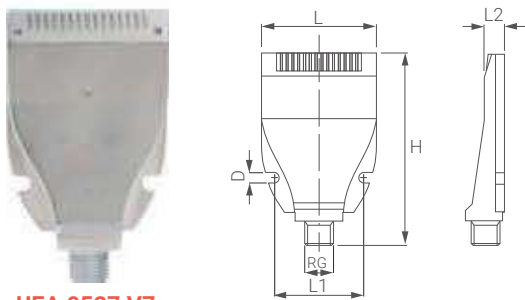
HOW TO MAKE UP THE NOZZLE CODE Ex.: UEA D020 B31SG



UEA 0525 / 0527 (AIR BLOWERS - FLAT FAN)



UEA 0525 E31



UEA 0527 V7

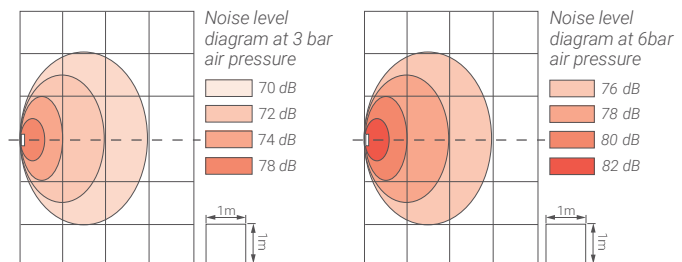
NEW! Also available in AISI 316L

AIR BLOWERS, FLAT FAN

UEA series compressed air blowers are the best choice for operating environments requiring strong impact laminar sprays. The compressed air flow is blown through 16 orifices producing a strong impact jet, limited noise level and uniform spray. They are suitable to be installed on moving conveyors.

THREAD SIZE 1/4"
 THREAD SPECIFICATION BSPT, NPT
 MATERIAL **E31** Polyacetalic resin (POM)
V7 Aluminium, electroless nickel plated
B31 AISI 316L s.s.

TYPICAL APPLICATIONS Water removal from surfaces
 Flocks and water blow off



CODE	RG inch	Air capacity (Nm ³ /hour) at different pressure values (bar)					H mm	L mm	L1 mm	L2 mm	D mm	WS mm
		1.0	2.0	3.0	4.0	5.0						
UEA 0525 E31 yy	1/4"	10	17	22	28	---	90.0	47	25	6.5	5.0	16
UEA 0527 xx yy	1/4"	10	17	22	28	33	86.5	51	41	6.5	5.1	17

HOW TO MAKE UP THE NOZZLE CODE Ex.: UEA 0525 E31SG

