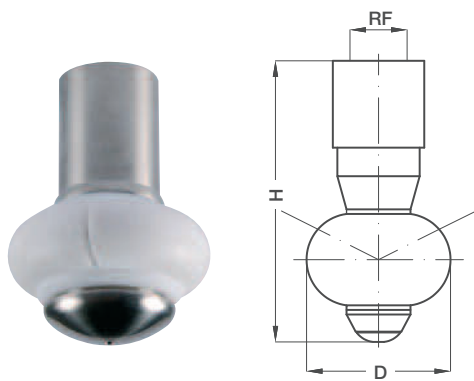


# SINGLE AXIS HEADS

## REACTION DRIVE

## UBX



UBX is a very compact product whose design provides for a specially accurate cleaning of the upper area of the tank around the inlet pipe, which is accomplished by a larger rotating head and straight jets with a well studied and appropriate orientation.

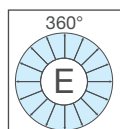
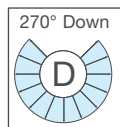
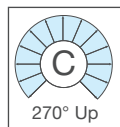
Because of the low flow values, the simple design and the high quality surface finish UBX tankwashers are preferred in such application as washing small volume tanks in pharmaceutical processes.

The rotation is obtained by liquid reaction forces, while the head rotates over a thin liquid film which is self-cleaning.

Connection can be threaded or with standard PNR clip for easy disassembly and cleaning.

- Materials**
- Body B31 AISI 316L Stainless steel
  - Rotor B31 AISI 316L Stainless steel
  - E1 PTFE (Teflon)
  - D9 PEEK , on request

### Thread connection



Code	Capacity at different pressures					lpm bar	Spray pattern deg			RF inch				Dimensions mm	
	2.0	3.0	4.0	5.0	6.0		360	270U	270D	1/4	3/8	1/2	3/4	H	D
UBX A20S B31EG	16.3	20.0	23.1	25.8	28.3	•			•				50	25	
UBX A20S B31CG	16.3	20.0	23.1	25.8	28.3		•		•				50	25	
UBX A20S B31DG	16.3	20.0	23.1	25.8	28.3			•	•				50	25	
UBX A30S B31EG	24.5	30.0	34.6	38.7	42.4	•				•			65	32	
UBX A30S B31CG	24.5	30.0	34.6	38.7	42.4		•			•			65	32	
UBX A30S B31DG	24.5	30.0	34.6	38.7	42.4			•		•			65	32	
UBX A40S B31EG	32.7	40.0	46.2	51.6	56.6	•					•		75	40	
UBX A40S B31CG	32.7	40.0	46.2	51.6	56.6		•				•		75	40	
UBX A40S B31DG	32.7	40.0	46.2	51.6	56.6			•			•		75	40	
UBX A70S B31EG	57.1	70.0	80.8	90.4	99.0	•						•	100	50	
UBX A70S B31CG	57.1	70.0	80.8	90.4	99.0		•					•	100	50	
UBX A70S B31DG	57.1	70.0	80.8	90.4	99.0			•				•	100	50	