

## AUXILIARY WASHING EQUIPMENTS

### UBT ACCESSORIES

Head-carrying carts are the most convenient solution for fast washing of tanks raised from the ground with an opening in the bottom.

The base with wheels and the pantograph raising mechanism allow an easy positioning of the system at the base of the tank and a quick insertion of the washing head inside, with the aid of a manual crank handle.

The carts are designed to be equipped with a UBT series washing head, ideal for a complete medium pressure cleaning in every corner of the tank, thanks to the automatic bi-axial rotation mechanism.

Materials    Structure    AISI 304L s.s.  
Wheels         PTFE

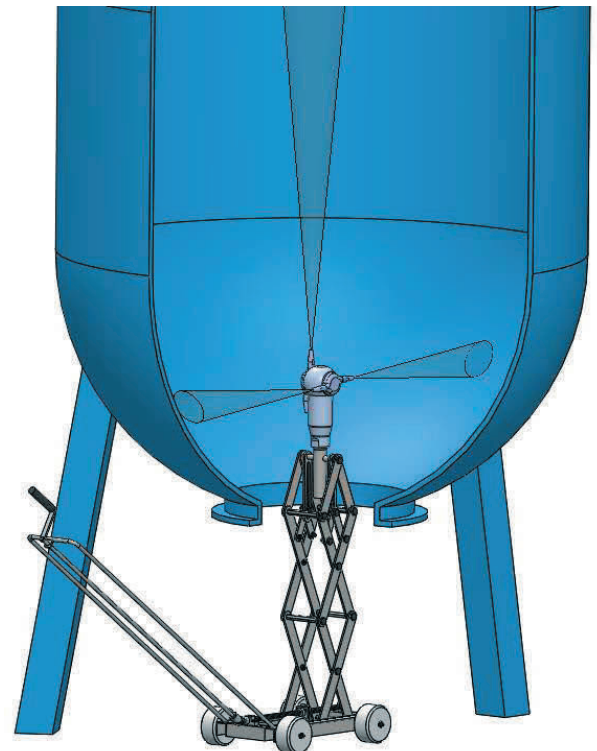
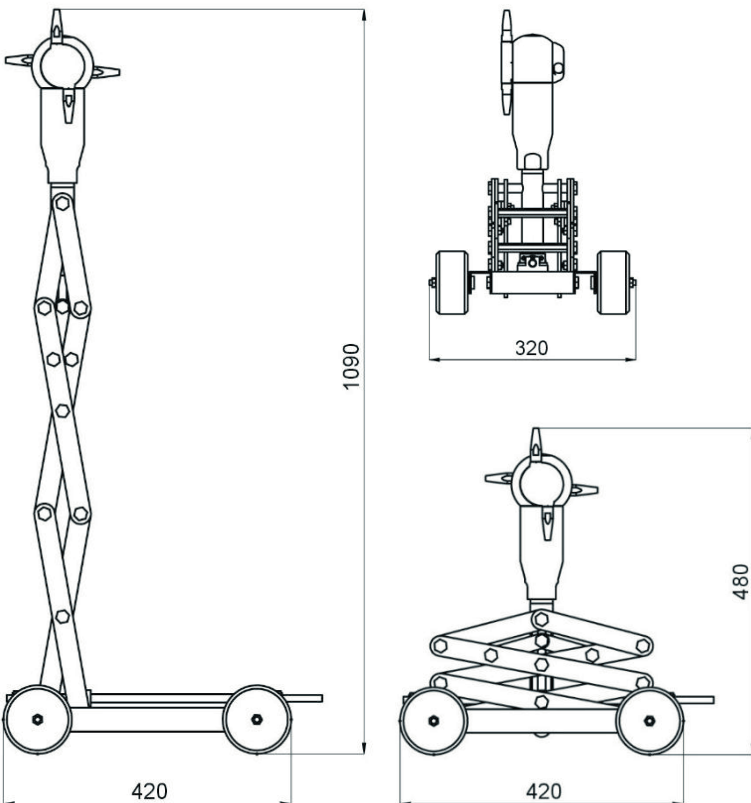
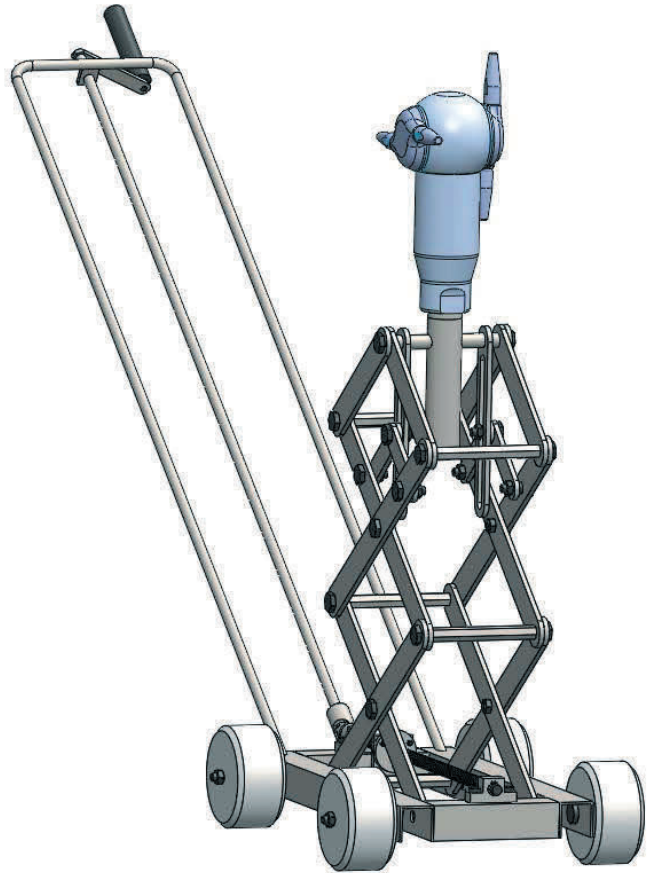
Connection 1" BSPT (Male)

#### Advantages:

- High portability
- Stability and resistance
- Easy to install and to use
- 360° cleaning of the tank

#### Typical applications:

- Food and beverage industry
- Chemical and petrochemical industry
- Pharmaceutical industry
- Environmental industry



The dimensions are explanatory, please contact us for further information.