

TWIN AXIS HEADS

UBT

TURBINE DRIVE

The UBT series tank wash heads are very sophisticated devices, designed with a robust structure and constructed with the latest technology to allow for high performance and providing excellent disinfection after each wash cycle.

These characteristics are ideal for the automatic cleaning of industrial tanks and vessels.

The nozzle movement is operated through an internal epicyclical gear reducer which enables to drive the jet paths according to a preset grid over the tank surface, providing a perfect cleaning of every single area inside the tank.

Each side hub is equipped with two nozzles whose orifice diameter determines the total water flow rate.

Depending on the application and size of the manhole, two different types of nozzle can be used:

- Short nozzle: length 20 mm (Model C)
- Long nozzle: length 50 mm (Model L)

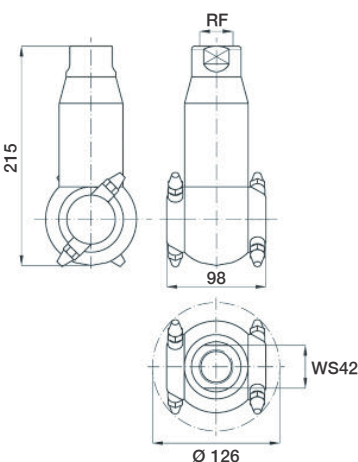
Each side hub is equipped with two nozzles whose orifice diameter determines the total water flow rate.

Operating conditions:

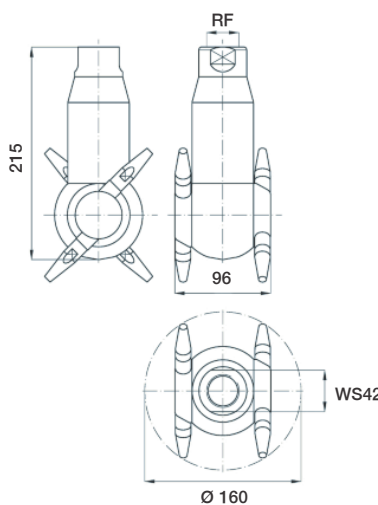
LT 90°C  
LP 12 bar

Materials Metal parts AISI 316L s.s.  
Seals PTFE Teflon + graphite  
Other minor parts PEEK

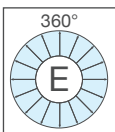
Connection Female BSPP Thread (ISO 228)



Model C: "short"



Model L: "long"



To order the required product, please note that:

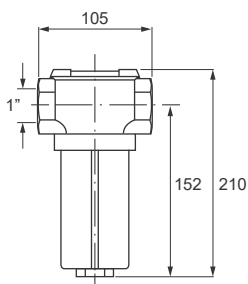
- a) you must replace the "x" with a "C" in the code to indicate you want the Model C (short nozzle);
- b) you must replace the "x" with a "L" in the code to indicate you want the Model L (long nozzle).

Code	Ø mm	RF poll	Capacity at different pressures							Weight Kg
			4,0	5,0	6,0	7,0	8,0	9,0	10	
UBT S445 B31 xG	4,5	1"	88	92	100	108	115	121	130	3,6
UBT S460 B31 xG	6,0		115	120	130	138	150	158	162	3,6

Ø is the nozzle diameter.

In order to avoid problems with the device (such as breaking), we suggest you to use filtered water.

PRN suggests to use a filter with at least 60 mesh, such as VEM 0100 V1.



VEM 0100 V1

