

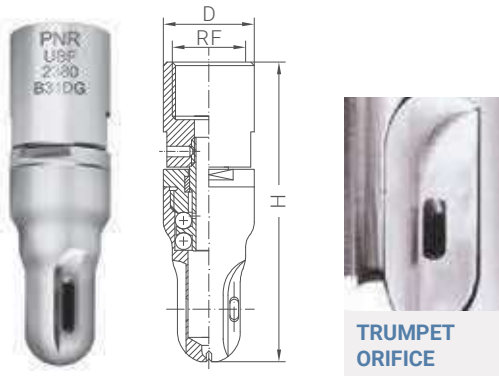
UBF SMALL DIMENSION WASHING HEADS

UBF range heads have been designed as small dimensions devices to be operated through small dimension openings and perform such processes as the inside cleaning of any other container where standard washing heads cannot be used. Typically used for cleaning beer kegs, containers for soft drinks or small bore pipes.

MATERIAL: B31 AISI 316L STAINLESS STEEL

EXCLUSIVE TRUMPET ORIFICE

The new trumpet design of the side orifices allows to obtain a more efficient fan shaped jet, with a well defined spray angle, improving considerably the washing action.

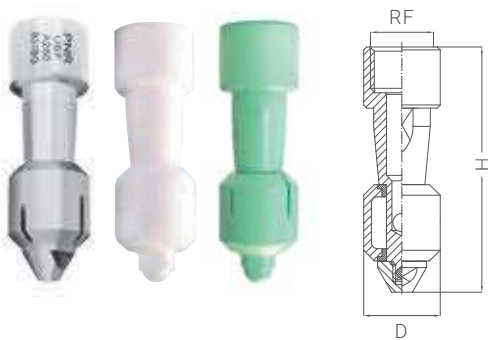


CODE	RF BSP	Capacity at different pressures					l/min bar	Spray coverage deg		Dimensions mm	
		2,0	3,0	5,0	10	12		100L	270G	H	D
UBF 2270 B31 LG	1/2"	20,0	27,0	36,4	51,5	56,4	.	.	85	26	
UBF 2270 B31DG		22,0	27,0	36,4	51,5	56,4	.	.			
UBF 2380 B31DG		31,0	38,0	49,2	69,3	76,0	.	.			

UBF A

Designed for cleaning processes in small bore piping or small size containers and available in a range of different plastic materials and special alloys, as well as with several spray angles.

MATERIAL: D82 PVDF (MOLDED)
B31 AISI 316L STAINLESS STEEL
E1 PTFE (FDA APPROVED)
L61 HASTELLOY C22

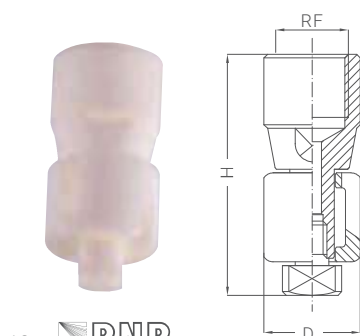


CODE	RF BSP	Capacity at diff. pressures			l/min bar	Spray coverage deg			Dimensions mm	
		2,0	3,0	4,0		180G	270G	360	H	D
UBF A250 xxBG	1/2"	20,0	25,0	28,8	.	.	.	80	25	
UBF A250 xxDG		20,0	25,0	28,8	.	.	.			
UBF A250 xxEG		20,0	25,0	28,8	.	.	.			

UBF S

Designed for cleaning processes in very small bore piping or containers, down to 13 mm diameter. The device is available in different materials as well as spray angles.

MATERIAL: B31 AISI 316L STAINLESS STEEL
E1 PTFE (FDA APPROVED)



CODE	RF BSP	Capacity at diff. pressures			l/min bar	Spray coverage deg	Dimensions mm	
		2,0	3,0	4,0		270G	H	D
UBF S055 xxDG	1/8"	4,50	5,50	6,40	.	32	13	