

SINGLE AXIS HEADS

UBC

REACTION DRIVE

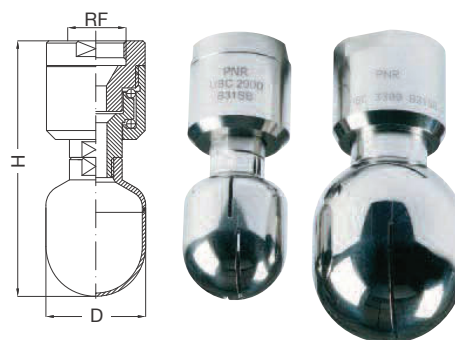
UBC series heads are completely made out of stainless steel, with the rotating sphere rolling on two ball bearing rows, to make operation possible in any position.

Inner and outer surfaces are carefully machined, deburred, cleaned and polished to a precisely defined roughness grade to avoid contamination from bacterial growth.

UBC series heads are available with different connection designs, that is a female thread and a clip-on connection as standard, a weld-on or a tri-clamp connection on request.

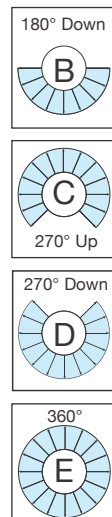
The robust and simple design, the high quality construction, long trouble-free service and remarkable efficiency have made them very popular for general purpose applications, in thousands of applications all over the world.

Materials B31 AISI 316L s.s. (ATEX available)



Female BSP Thread

Code	Capacity at different pressures l/min bar				Spray coverage				RF BSP					Size mm	
	2,0	3,0	5,0	7,0	360	270U	270D	180D	3/8"	1/2"	3/4"	1"	1-1/4"	H	D
UBC 2100 B31xG	8,16	10,0	12,9	15,3	•	•	•	•	•					55	25
UBC 2300 B31xG	24,5	30,0	38,7	45,8	•	•	•	•	•						
UBC 2480 B31xG	39,2	48,0	62,0	73,3	•	•	•	•	•					115	45
UBC 2629 B31xG	51,4	63,0	81,3	96,2	•	•	•	•	•						
UBC 2899 B31xG	73,5	90,0	116	137	•	•	•	•	•					131	65
UBC 2630 B31xG	51,4	63,0	81,3	96,2	•	•	•	•	•						
UBC 2900 B31xG	73,5	90,0	116	137	•	•	•	•	•					46	22
UBC 3135 B31xG	110	135	174	206	•	•	•	•	•						
UBC 3120 B31xG	98,0	120	155	183	•	•	•	•	•						
UBC 3215 B31xG	176	215	278	328	•	•	•	•	•						
UBC 3300 B31xG	245	300	387	458	•	•	•	•	•						



Male BSPT Thread

Code	Capacity at different pressures l/min bar				Spray coverage				RG BSPT					Size mm	
	2,0	3,0	5,0	7,0	360	270U	270D	180D						H	D
UBC 2230 B31EGZ	18,9	23,0	29,4	34,5	•				•					46	22

Clip-on connection

Available on request with American pin. Last letter of the code: D insted of C.

Code	Capacity at different pressures l/min bar				Spray coverage				Pipe Connection	Clip-on Pipe	Standard	Size mm	
	2,0	3,0	5,0	7,0	360	270U	270D	180D	De x Di (mm)			H	D
UBC 2480 B31xC	39,2	48,0	62,0	73,3	•	•	•	•	22 x 20	3/4"	ASTM A240	70	25
UBC 2630 B31xC	51,4	63,0	81,3	96,2	•	•	•	•	29 x 25,3	DN 25	SMS 3008	135	45
UBC 2900 B31xC	73,5	90,0	116	137	•	•	•	•	29 x 25,3	DN 25	SMS 3008	137	45
UBC 3120 B31xC	98,0	120	154	183	•	•	•	•	29 x 25,3	DN 25	SMS 3008	135	45
UBC 3135 B31xC	110	135	174	206	•	•	•	•	29 x 25,3	DN 25	SMS 3008	137	45
UBC 3178 B31xC	145	178	230	272	•	•	•	•	29 x 25,3	DN 25	SMS 3008	137	44,5
UBC 3300 B31xC	245	300	387	458	•	•	•	•	44 x 38,4	DN 40	SMS 3008	159	65

Welded connection

Code	Capacity at different pressures l/min bar				Spray coverage				Pipe Connection	DN	Standard	Size mm	
	2,0	3,0	5,0	7,0	360	270U	270D	180D	De x Di (mm)			H	D
UBC 2200 B31xS	16,3	20,0	25,8	30,6	•	•	•	•	12,7 x 1,65	DN 10	DIN 11866/C	69	25
UBC 2300 B31xW	24,5	30,0	38,7	45,8	•	•	•	•	19,05 x 1,65	DN 15	DIN 11866/C	78	25
UBC 2630 B31xW	51,4	63,0	81,3	96,2	•	•	•	•	25 x 2	DN 25	DIN 11866/C	250	45
UBC 2900 B31xW	73,5	90,0	116	137	•	•	•	•	25 x 2	DN 25	DIN 11866/C	250	45
UBC 3120 B31xS	98,0	120	155	183	•	•	•	•	25 x 2	DN 25	DIN 11866/C	250	45
UBC 3135 B31xV	110	135	174	206	•	•	•	•	29 x 1,5	DN 25	DIN 11866/A	250	45
UBC 3300 B31xW	245	300	387	458	•	•	•	•	38 x 34	DN 40	DIN 11866/C	250	65