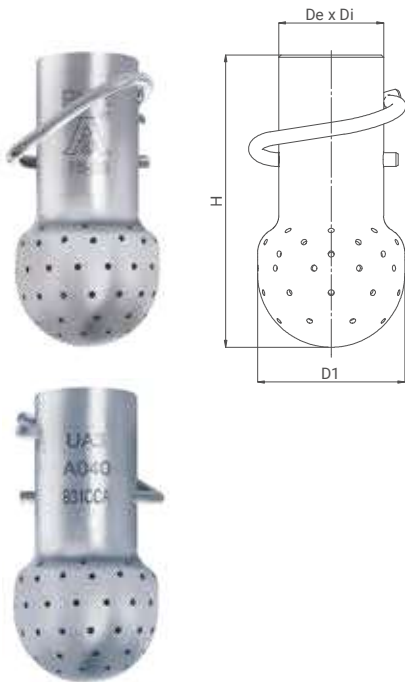


UA3

UA3 tank washing heads are the most advanced hygienic devices available for applications in food industry. Designing and realization follow 3-A Sanitary Standard. The electropolishing finish assures a roughness $Ra < 0,8 \mu m$ required for the devices used in food processing. Used materials follow standard EC 1935/2004 and come under the list of materials indicated by FDA for food application.

MATERIAL: B31 AISI 316L STAINLESS STEEL



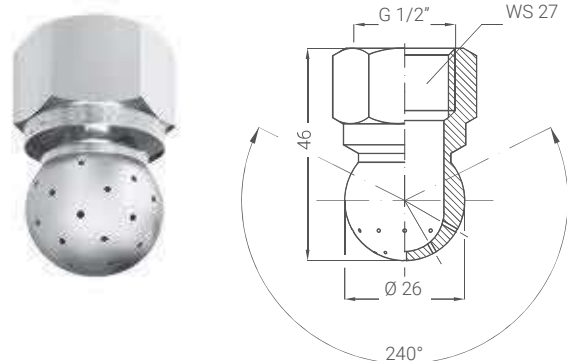
CODE	Connection De x Di (mm x mm)	Connection pipe Standard DIN 11866	D1 mm	Capacity m3/h 1 bar	Coverage	Dia mm	H mm	WR m
UA3 C056 B31ACA	32,8 x 29,8	DN 25 File A	50	5,60	2,0	100	2,2	
UA3 D098 B31ACA	44,8 x 41,8	DN 40 File A	65	9,80	2,5	117	2,7	
UA3 A040 B31BCA	22,8 x 19,8	DN 15 File A	32	4,00	180°DOWN	1,3	63,5	2,0
UA3 C056 B31BCA	32,8 x 29,8	DN 25 File A	50	5,60		2,0	100	2,5
UA3 D098 B31BCA	44,8 x 41,8	DN 40 File A	65	9,80		2,5	117	3,0
UA3 A040 B31CCA	22,8 x 19,8	DN 15 File A	32	4,00	270°UP	1,3	63,5	1,5
UA3 C056 B31CCA	32,8 x 29,8	DN 25 File A	50	5,60		2,0	100	2,0
UA3 D098 B31CCA	44,8 x 41,8	DN 40 File A	65	9,80		2,5	117	2,5
UA3 A026 B31ECA	22,8 x 19,8	DN 15 File A	32	2,60	360°	1,3	63,5	1,0
UA3 C056 B31ECA	32,8 x 29,8	DN 25 File A	50	5,60		2,0	100	1,5
UA3 D193 B31ECA	44,8 x 41,8	DN 40 File A	65	19,3		2,5	117	2,0

Read more about 3-A certification at the end of the catalog.

UAB

UAB heads are very compact devices, for applications like pipe washing or for cleaning tight spaces. The thick walls of this device, which is machined from solid stainless steel rod, make it also a good choice where the washing process needs to be performed at high pressure values.

MATERIAL: B1 AISI 303 STAINLESS STEEL
B31 AISI 316L STAINLESS STEEL



BSP thread

CODE	Dia mm	D mm	Capacity at different pressure values			
			2,0	3,0	4,0	5,0
UAB 2220 xxSG	0,8	26	18,0	22,0	25,3	28,5
UAB 2343 xxSG	1,0		28,0	34,3	39,5	44,3
UAB 2700 xxSG	1,5		57,0	70,0	80,5	90,3
UAB 3110 xxSG	2,0		90,0	110	126	142
UAB 3145 xxSG	2,3		118	145	167	187