

FIXED SPRAY HEADS

FIXED SPRAY HEADS

The most simple tank washing devices, fixed heads or spray balls are the classic equipment used in thousands of tanks for their reliability and since easily kept in perfect hygienic conditions.

Their low impact properties and high volume fluid requirement limit their use to small tank sizes and processes where easily cleaned liquids and non sticking products have to be eliminated.

Our models UA3, UAB and UAC are made out of high quality stainless steel and cover most possible applications, while we are still pleased to quote for special models designed on individual requirements.



UA3

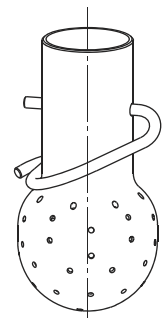
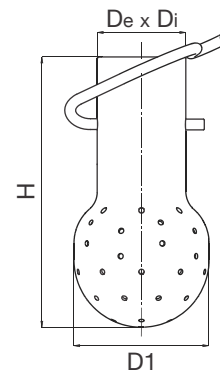
UA3 tank washing heads are the most advanced hygienic devices available for applications in food industry.

Designing and realization follow 3-A Sanitary Standard.

The electropolishing finish assures a roughness $Ra < 0,8$ required for the devices used in food processing.

Used materials follow standard EC 1935/2004 and come under the list of materials indicated by FDA for food application.

Materials B31 AISI 316L s.s.



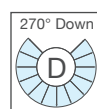
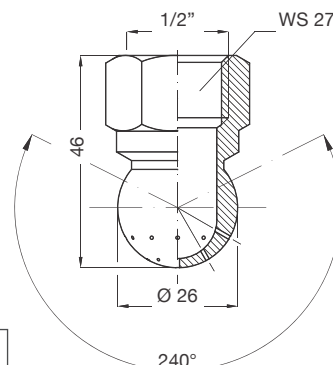
| Code | Connection De x Di (mm x mm) | Connection Pipe Standard DIN 11866 | D1 mm | Capacity m3/h 1 bar | Spray Coverage | Diam. mm | H mm | WR m |
|-----------------|------------------------------------|--|----------|---------------------------|-------------------|-------------|---------|---------|
| UA3 A040 B31ACA | 22,8 x 19,8 | DN 15 File A | 32 | 1,90 | | 1,3 | 63,5 | 1,7 |
| UA3 C056 B31ACA | 32,8 x 29,8 | DN 25 File A | 50 | 3,10 | | 2,0 | 100 | 2,2 |
| UA3 D098 B31ACA | 44,8 x 41,8 | DN 40 File A | 65 | 6,20 | | 2,5 | 117 | 2,7 |
| UA3 A040 B31BCA | 22,8 x 19,8 | DN 15 File A | 32 | 2,10 | | 1,3 | 63,5 | 2,0 |
| UA3 C056 B31BCA | 32,8 x 29,8 | DN 25 File A | 50 | 3,20 | | 2,0 | 100 | 2,5 |
| UA3 D098 B31BCA | 44,8 x 41,8 | DN 40 File A | 65 | 6,40 | | 2,5 | 117 | 3,0 |
| UA3 A040 B31CCA | 22,8 x 19,8 | DN 15 File A | 32 | 3,30 | | 1,3 | 63,5 | 1,5 |
| UA3 C056 B31CCA | 32,8 x 29,8 | DN 25 File A | 50 | 5,10 | | 2,0 | 100 | 2,0 |
| UA3 D098 B31CCC | 44,8 x 41,8 | DN 40 File A | 65 | 10,4 | | 2,5 | 117 | 2,5 |
| UA3 A026 B31ECA | 22,8 x 19,8 | DN 15 File A | 32 | 2,60 | | 1,3 | 63,5 | 1,0 |
| UA3 C056 B31ECA | 32,8 x 29,8 | DN 25 File A | 50 | 5,60 | | 2,0 | 100 | 1,5 |
| UA3 D193 B31ECA | 44,8 x 41,8 | DN 40 File A | 65 | 11,0 | | 2,5 | 117 | 2,0 |

UAB

UAB heads are very compact devices, for applications like pipe washing or for cleaning tight spaces. The thick walls of this device, which is machined from solid stainless steel rod, make it also a good choice where the washing process needs to be performed at high pressure values.

BSP thread

| Code | Dia mm | D mm | Capacity at different pressures | | | | l/min bar |
|---------------|-----------|---------|---------------------------------------|------|------|------|--------------|
| | | | 2,0 | 3,0 | 4,0 | 5,0 | |
| UAB 2220 xxSG | 0,8 | 26 | 18,0 | 22,0 | 25,3 | 28,5 | |
| UAB 2343 xxSG | 1,0 | | 28,0 | 34,3 | 39,5 | 44,3 | |
| UAB 2700 xxSG | 1,5 | | 57,0 | 70,0 | 80,5 | 90,3 | |
| UAB 3110 xxSG | 2,0 | | 90,0 | 110 | 126 | 142 | |
| UAB 3145 xxSG | 2,3 | | 118 | 145 | 167 | 187 | |



Materials B1 AISI 303 s.s.
B31 AISI 316L s.s.