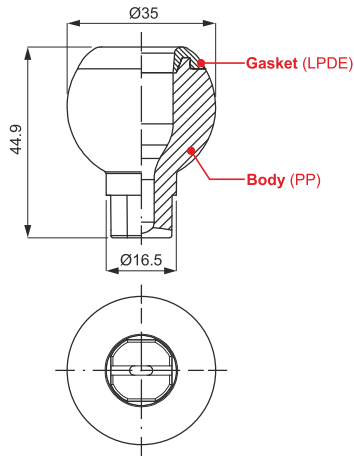
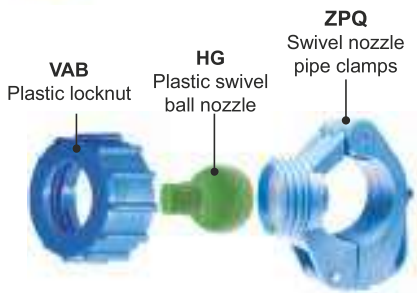




HGQ 2117 D5
Flat fan nozzle



Gasket (LPDE)



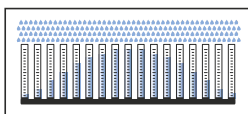
VAB
Plastic locknut

HG
Plastic swivel ball nozzle

ZPQ
Swivel nozzle pipe clamps



Spray section



Convex distribution



PLASTIC SWIVEL BALL NOZZLES

HGQ and RGN plastic swivel ball nozzles are designed for diversified applications. They allow an easy adjustment of their spray jet direction and offer a quick-fit connection.

- **Nozzle type** Flat fan nozzles (HG)
Hollow cone nozzles (RG)
- **Typical application** Cleaning equipment used in pre-treatment for coating process
- **Material** Body **D5** PP, talcum filled
D6 PP, chemically bonded fiberglass

FLAT FAN NOZZLES

HGQ flat fan nozzles feature a 60° spray angle and their wide range of flow rates makes them the best choice in pre-treatment plants. For an easier identification and use, they are made in different colours depending on the flow rate. The material is top quality PP, chemically bonded fibreglass to offer the best stability at high temperatures and resistance to chemicals.

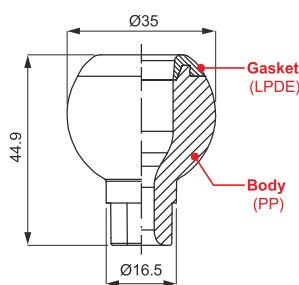
Code	Capacity at different pressure values (l/min) (bar)						Color	W g	
	0.5	0.7	1.0	1.5	2.0	3.0			
60°	HGQ 1390 xx	1.70	2.00	2.40	2.90	3.30	3.90	Black	16
	HGQ 1780 xx	3.18	3.77	4.50	5.52	6.37	7.80	Purple	
	HGQ 1980 xx	4.00	4.70	5.60	6.90	8.00	9.80	Brown	
	HGQ 2117 xx	4.60	5.50	6.50	8.00	9.30	11.7	Yellow	
	HGQ 2135 xx	5.50	6.50	7.80	9.50	11.0	13.5	Grey	
	HGQ 2155 xx	6.20	7.40	8.80	10.8	12.5	15.5	Red	
	HGQ 2195 xx	7.80	9.20	11.0	13.8	15.6	19.5	Green	
	HGQ 2230 xx	9.50	11.3	13.5	16.3	19.1	23.0	Blue	
	HGQ 2270 xx	10.9	12.8	15.4	18.8	21.7	27.0	Sky blue	
	HGQ 2337 xx	13.8	16.4	19.5	24.0	27.7	33.7	White	
	HGQ 2410 xx	16.7	19.8	23.6	29.0	33.5	41.0	Pink	

HOLLOW CONE NOZZLES

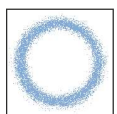
RGN hollow cone nozzles have a 50° spray angle and offer a wide range of flow rates, all identified by a particular nozzle colour to avoid any possible confusion. The material is top quality PP, chemically bonded fibreglass to offer the best stability at high temperatures and resistance to chemicals. For these features they are widely used in pre-treatment plants.



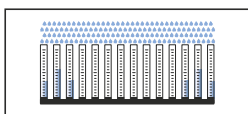
RGN
Hollow cone nozzle



Code	Capacity at different pressure values (l/min) (bar)						Color	W g	
	0.5	0.7	1.0	1.5	2.0	3.0			
50°	RGN 2175 xx	7.10	8.50	10.1	12.4	14.3	17.5	Red	25
	RGN 2215 xx	8.80	10.4	12.4	15.2	17.6	21.5	Blue	
	RGN 2390 xx	15.9	18.8	22.5	27.6	31.8	39.0	Black	



Spray section



Concave distribution



HOW TO MAKE UP THE NOZZLE CODE

EX.: HGQ 1390 D5

- NOZZLE TYPE**
 - HGQ - Flat fan nozzles (60°)
 - RGN - Hollow cone nozzles (50°)
- CAPACITY**
 - D5 - PP, talcum filled
 - D6 - PP, chemically bonded fiberglass