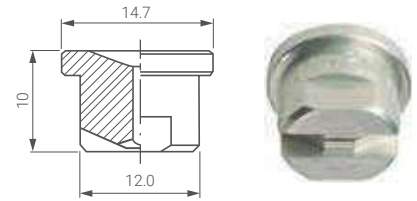


( FLAT FAN NOZZLE TIPS ) **GX**

LOW CAPACITY

Flat fan nozzle tips are usually mounted onto a pipe by means of a welded nipple or a clamp, and secured in place with a retaining nut. They can be easily replaced and the jet can be conveniently oriented in the desired direction.

The tips models shown on this page delivery very low flow values. Their precisely machined small orifices can be protected from clogging by means of a filter assembled inside our nipples and clamps that are designed for this purpose.



CONNECTION: flange

TYPICAL APPLICATIONS

*Washing:* semiconductor and precision parts cleaning

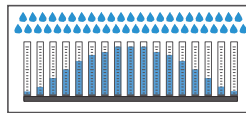
*Cooling:* continuous casting, product cooling

*Lubrication:* spray of lubricating oils and release agents

*Other applications:* spray of flavouring agents, cooling oil and antifoulant chemicals



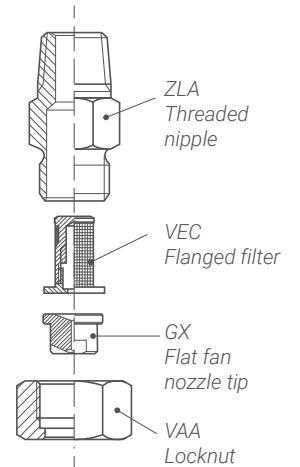
Spray section



Convex distribution

GXD 25°	GXL 40°	GXN 50°	GXR 65°	CAPACITY CODE	D mm	Capacity at different pressure values (l/min) (bar)									
						0.7	1.0	1.5	2.0	3.0	4.0	5.0	7.0	10	
			•	0060	0.28	0.02	0.03	0.04	0.05	0.06	0.07	0.08	0.09	0.11	
			•	0100	0.34	0.05	0.06	0.07	0.08	0.10	0.12	0.13	0.15	0.18	
			•	0130	0.38	0.06	0.08	0.09	0.11	0.13	0.15	0.17	0.20	0.24	
•	•	•	•	0150	0.40	0.07	0.09	0.11	0.12	0.15	0.17	0.19	0.23	0.27	
•	•	•	•	0200	0.46	0.08	0.12	0.14	0.16	0.20	0.23	0.26	0.31	0.37	
•	•	•	•	0260	0.53	0.11	0.15	0.18	0.21	0.26	0.30	0.34	0.40	0.47	
•	•	•	•	0390	0.66	0.16	0.23	0.28	0.32	0.39	0.45	0.50	0.60	0.71	
•	•	•	•	0590	0.79	0.24	0.34	0.42	0.48	0.59	0.68	0.76	0.90	1.08	

ASSEMBLY FITTINGS



GXS 75°	GXT 80°	GXV 95°	GXJ 110°	CAPACITY CODE	D mm	Capacity at different pressure values (l/min) (bar)									
						0.7	1.0	1.5	2.0	3.0	4.0	5.0	7.0	10	
•				0100	0.34	0.05	0.06	0.07	0.08	0.10	0.12	0.13	0.15	0.18	
•				0130	0.38	0.06	0.08	0.09	0.11	0.13	0.15	0.17	0.20	0.24	
•	•	•	•	0150	0.40	0.07	0.09	0.11	0.12	0.15	0.17	0.19	0.23	0.27	
•	•	•	•	0200	0.46	0.08	0.12	0.14	0.16	0.20	0.23	0.26	0.31	0.37	
•	•	•	•	0260	0.53	0.11	0.15	0.18	0.21	0.26	0.30	0.34	0.40	0.47	
•	•	•	•	0390	0.66	0.16	0.23	0.28	0.32	0.39	0.45	0.50	0.60	0.71	
•	•	•	•	0590	0.79	0.24	0.34	0.42	0.48	0.59	0.68	0.76	0.90	1.08	

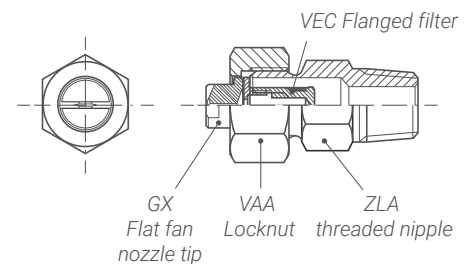
MATERIAL PROCESSING

Because of the extreme difficulty of working hard materials such as stainless steels with very small profile drills, not all the capacity sizes shown in the nozzle table are available in all materials. The table below shows the minimum capacity values we can produce for each given material. Please contact our sales for more information.

Material	0060	0100	0130	0150	0200	0260	0390	0590	0780
<b>B31</b> - AISI 316L					•	•	•	•	•(1)
<b>B1</b> - AISI 303	•	•	•	•	•	•	•	•	•(2)
<b>T1</b> - Brass	•	•	•	•	•	•	•	•	•(2)

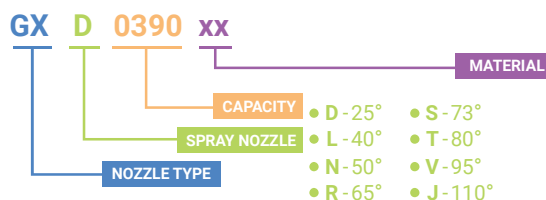
(1) Low capacity body

(2) Standard capacity body



HOW TO MAKE UP THE NOZZLE CODE

Ex.: GXD 0390 B1



- **B1** - AISI 303 Stainless steel
- **B31** - AISI 316L Stainless steel
- **T1** - Brass