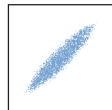




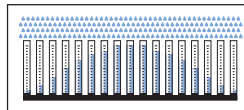
GF SERIES SELF-CLEANING NOZZLES

The self-cleaning design of the GF series nozzles allow an easy maintenance of cleaning spray bars and shower headers. The nozzle body contains a mobile piston whose opening and closure is operated by the water pressure. For example, when nozzles wash mesh fabrics with an operating pressure of 3 bar, this pressure is higher than a spring force of 1 bar. Piston and nozzle body come close producing a flat fan spray. If the inlet pressure is reduced to 0.5 bar, lower than a spring force of 1 bar, piston and nozzle body separate opening to the maximum distance. Water pressure remains at 0.5 bar and removes any build up when back to normal condition. In a word, to clean these nozzles it's sufficient to reduce pressure to avoid the accumulation of dirt inside. GF self-cleaning nozzles are easy to install, align and clean ensuring relevant time and costs savings. The spring force is set depending on customer's plant working pressure.

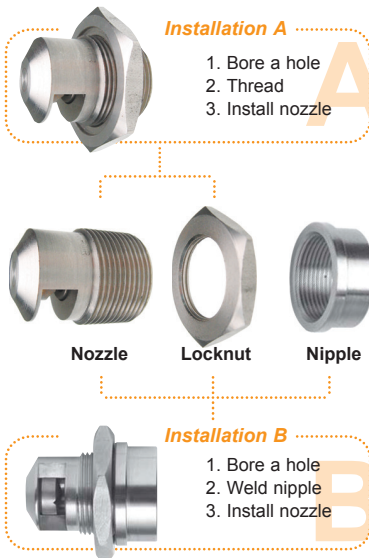
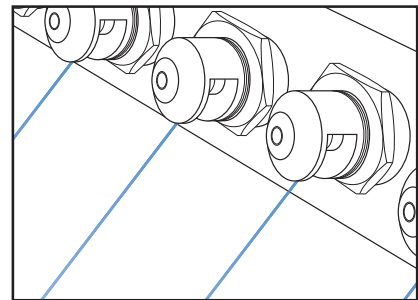
- Typical applications**
 washing or spraying in pulp and paper mills, mesh fabrics cleaning, water treatment systems, and many more.



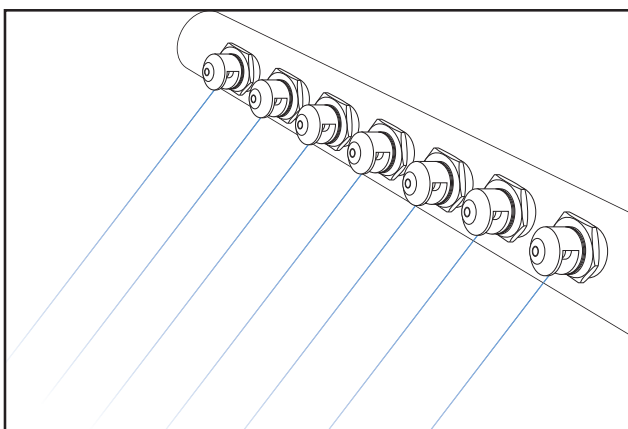
Spray section



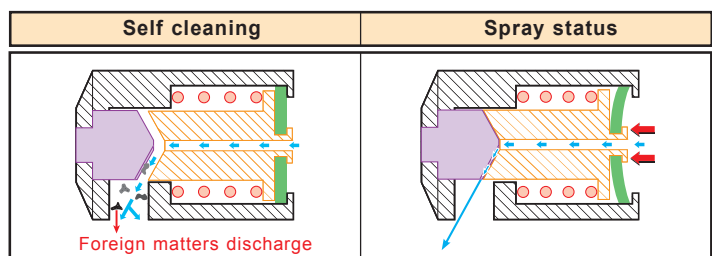
Convex distribution



Code	Capacity at different pressure values									
	3.0	4.0	5.0	6.0	7.0	8.0	10	15	20	
0°	GFA 1100 B3 xx	1.00	1.15	1.29	1.41	1.53	1.63	1.83	2.24	2.58
	GFA 1235 B3 xx	2.35	2.71	3.03	3.32	3.59	3.84	4.29	5.25	6.07
	GFA 1330 B3 xx	3.30	3.81	4.26	4.67	5.04	5.39	6.02	7.38	8.52
45°	GFM 1630 B3 xx	6.30	7.27	8.13	8.91	9.62	10.3	11.5	14.1	16.3
	GFM 1750 B3 xx	7.50	8.66	9.68	10.6	11.5	12.2	13.7	16.8	19.4
	GFM 1970 B3 xx	9.70	11.2	12.5	13.7	14.8	15.8	17.7	21.7	25.0
	GFM 2121 B3 xx	12.1	14.0	15.6	17.1	18.5	19.8	22.1	27.1	31.2
	GFM 2139 B3 xx	13.9	16.1	17.9	19.7	21.2	22.7	25.4	31.1	35.9
60°	GFQ 1630 B3 xx	6.30	7.27	8.13	8.91	9.62	10.3	11.5	14.1	16.3
	GFQ 1750 B3 xx	7.50	8.66	9.68	10.6	11.5	12.2	13.7	16.8	19.4
	GFQ 1970 B3 xx	9.70	11.2	12.5	13.7	14.8	15.8	17.7	21.7	25.0
	GFQ 2121 B3 xx	12.1	14.0	15.6	17.1	18.5	19.8	22.1	27.1	31.2
	GFQ 2139 B3 xx	13.9	16.1	17.9	19.7	21.2	22.7	25.4	31.1	35.9
80°	GFT 1630 B3 xx	6.30	7.27	8.13	8.91	9.62	10.3	11.5	14.1	16.3
	GFT 1750 B3 xx	7.50	8.66	9.68	10.6	11.5	12.2	13.7	16.8	19.4
	GFT 1970 B3 xx	9.70	11.2	12.5	13.7	14.8	15.8	17.7	21.7	25.0
	GFT 2121 B3 xx	12.1	14.0	15.6	17.1	18.5	19.8	22.1	27.1	31.2
	GFT 2139 B3 xx	13.9	16.1	17.9	19.7	21.2	22.7	25.4	31.1	35.9



Thread specification	M28 x 1.5	3/4" - 20	1 1/8" - 20
Nozzle	GFx xxxx B3SM	GFx xxxx B3SN	GFx xxxx B3SP
Nipple	XGF 2832 B3SM	XGF 2832 B3SN	XGF 2832 B3SP
Locknut	XGF 7010 B3SM	XGF 7010 B3SN	XGF 7010 B3SP



HOW TO MAKE UP THE NOZZLE CODE

EX.: GFA 1100 B31SM

