

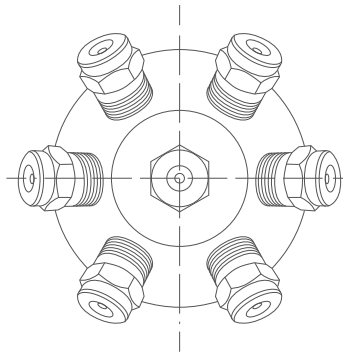
CH

CH series includes large and small capacities full cone cluster nozzles. They make a cluster spray pattern and are available in 7 and 13 nozzles versions. Several nozzles are assembled on one nipple with small volume and wide spray coverage. The droplets size is 1/3-1/2 compared to those produced by a single nozzle with same capacity. An added value to CH full cone nozzle is their wide spray range.

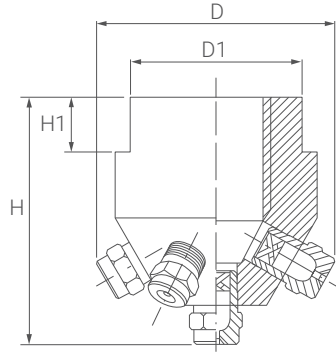
MATERIAL: B1 AISI 303 STAINLESS STEEL THREAD: STANDARD BSP
 B31 AISI 316L STAINLESS STEEL STANDARD NPT
 T1 BRASS



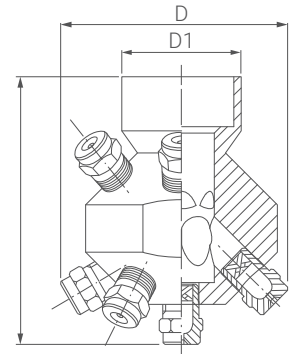
CH



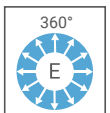
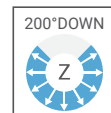
BOTTOM VIEW



MODEL WITH 7 NOZZLES



MODEL WITH 13 NOZZLES



Threaded connections

CODE	Capacity at different pressures l/min bar					Spray coverage deg		RF BSP				Dimensions mm				Number of nozzles
	1,0	2,0	3,0	5,0	10	200	360	3/4"	1"	1-1/2"	2"	D	D1	H	H1	
CHZ 1826 xx	4,77	6,47	8,26	10,7	15,1	•		•				71	40	55	13	7
CHZ 2165 xx	9,53	13,5	16,5	21,3	30,1	•		•								
CHZ 2329 xx	19,0	26,9	32,9	42,5	60,1	•			•			89	46	68	17	
CHZ 2585 xx	33,8	47,8	58,5	75,5	106	•			•							
CHZ 2819 xx	47,3	66,9	81,9	106	150	•			•							
CHZ 3102 xx	59,4	84,0	102	133	188	•				•		128	70	93	20	
CHZ 3131 xx	76,0	107	131	170	240	•				•						
CHZ 3206 xx	119	168	206	267	377	•					•	171	85	122	27	
CHZ 3259 xx	149	211	259	334	473	•					•					
CHZ 3329 xx	190	268	329	425	600	•					•					
CHE 2153 xx	8,83	12,5	15,3	19,8	27,9		•	•				69	39	85	-	13
CHE 2306 xx	17,7	25,0	30,6	39,5	55,9		•	•								
CHE 2611 xx	35,3	49,9	61,1	78,9	111		•		•			86	48	105	-	
CHE 3108 xx	62,7	88,7	108	140	198		•		•							
CHE 3152 xx	87,8	124	152	196	277		•		•							
CHE 3191 xx	110	156	191	246	349		•			•		98	55	120	-	
CHE 3245 xx	141	200	245	316	447		•			•						
CHE 3383 xx	221	313	383	495	700		•				•	129	73	159	-	
CHE 3481 xx	277	392	481	621	878		•				•	169	95	206	-	