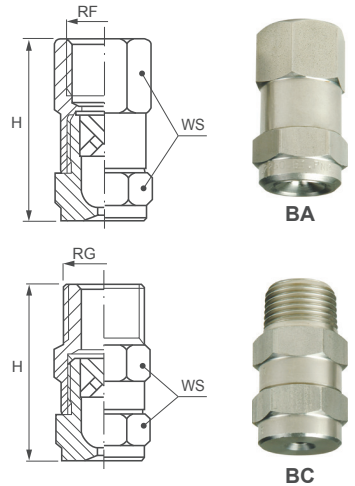
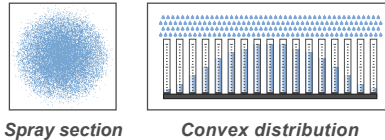


X-VANE / ROUND SPRAY / THREE PIECES DESIGN / EASY CLEAN

BA/BC series full cone nozzles have a three-piece design made of body, X-vane and nipple. Their X-vane design combines resistance to clogging with the convenience of an easy and fast inside cleaning as they can be easily disassembled for maintenance. When these nozzles are mounted to spray upwards, the design of the nipple avoids loosing the vane. BA/BC nozzles are available with a female (BA) or male (BC) inlet thread nipple. See dimensions and weight at the bottom of the page.



■ **Thread specification**
 Male (BSPT, NPT)
 Female (BSP, NPT)



BAQ Female	BCQ Male	Code	RF RG inch	D mm	D1 mm	Capacity at different pressure values (l/min) (bar)							Spray angle at pressure (°) (bar)		
						0.7	1.0	2.0	3.0	5.0	7.0	10	0.5	1.5	6.0
•	•	0740	1/8"	1.0	0.5	0.36	0.43	0.60	0.74	0.96	1.13	1.35	--	58°	53°
•	•	1110		1.2	0.5	0.53	0.64	0.90	1.10	1.42	1.68	2.01	52°	65°	59°
•	•	1150	1/8"	1.4	1.0	0.73	0.87	1.23	1.50	1.94	2.29	2.74	43°	50°	46°
•	•	1220		1.6	1.0	1.06	1.27	1.80	2.20	2.84	3.36	4.02	52°	65°	59°
•	•	1260	1/8"	1.6	1.3	1.26	1.50	2.12	2.60	3.36	3.97	4.75	43°	50°	46°
•	•	1370		2.0	1.3	1.79	2.14	3.02	3.70	4.78	5.65	6.76	52°	65°	59°
•	•	1480	1/4"	2.4	1.7	2.32	2.77	3.92	4.80	6.20	7.33	8.76	45°	50°	46°
•	•	1740		2.9	1.7	3.58	4.27	6.04	7.40	9.55	11.3	13.5	58°	67°	61°
•	•	1930	1/4"	3.2	1.7	4.49	5.37	7.59	9.30	12.0	14.2	17.0	69°	74°	68°
•	•	1700		3/8"	3.0	2.0	3.38	4.04	5.72	7.00	9.04	10.7	12.8	45°	50°
•	•	2111	3/8"	3.4	2.4	5.36	6.41	9.06	11.1	14.3	17.0	20.3	64°	67°	61°
•	•	2163		4.5	2.4	7.87	9.41	13.3	16.3	21.0	24.9	29.8	87°	90°	82°
•	•	2118	1/2"	3.4	3.0	5.70	6.81	9.63	11.8	15.2	18.0	21.5	48°	50°	46°
•	•	2185		4.4	3.0	8.94	10.7	15.1	18.5	23.9	28.3	33.8	64°	67°	61°
•	•	2240	1/2"	5.0	3.0	11.6	13.9	19.6	24.0	31.0	36.7	43.8	72°	75°	68°
•	•	2300		5.6	3.0	14.5	17.3	24.5	30.0	38.7	45.8	54.8	88°	91°	83°

Standard spray

BAW	BCW	Code	RF/RG	D	D1	0.7	1.0	2.0	3.0	5.0	7.0	10	0.3	0.7	6.0
•	•	1200	1/8"	1.5	1.0	0.97	1.15	1.63	2.00	2.58	3.06	3.65	--	120°	102°
•	•	1310		1.8	1.0	1.50	1.79	2.53	3.10	4.00	4.74	5.66	--	120°	102°
•	•	1400	1/8"	2.3	1.0	1.93	2.31	3.27	4.00	5.16	6.11	7.30	--	120°	102°
•	•	1570		2.5	1.1	2.75	3.29	4.65	5.70	7.36	8.71	10.4	--	120°	103°
•	•	1720	1/4"	3.3	1.7	3.48	4.16	5.88	7.20	9.30	11.0	13.2	112°	120°	103°
•	•	1860		3.4	1.3	4.15	4.97	7.02	8.60	11.1	13.1	15.7	114°	120°	103°
•	•	2100	1/4"	3.6	1.6	4.83	5.77	8.16	10.0	12.9	15.3	18.3	114°	120°	103°
•	•	2122		3/8"	3.9	1.6	5.89	7.04	9.96	12.2	15.8	18.6	22.3	114°	120°
•	•	2144	3/8"	4.3	2.4	6.96	8.31	11.8	14.4	18.6	22.0	26.3	114°	120°	104°
•	•	2172		4.9	2.4	8.31	9.93	14.0	17.2	22.2	26.3	31.4	35.4	114°	120°
•	•	2194	3/8"	5.3	2.5	9.37	11.2	15.8	19.4	25.1	29.6	35.4	114°	120°	106°
•	•	2220		1/2"	5.0	3.0	10.6	12.7	18.0	22.0	28.4	33.6	40.2	114°	120°
•	•	2250	1/2"	5.3	3.0	12.1	14.4	20.4	25.0	32.3	38.2	45.6	114°	120°	108°
•	•	2290		5.6	3.0	14.0	16.7	23.7	29.0	37.4	44.3	53.0	65.7	114°	120°
•	•	2320	1/2"	6.7	3.5	15.5	18.5	26.1	32.0	41.3	48.9	58.4	114°	120°	110°
•	•	2360		7.6	4.0	17.4	20.8	29.4	36.0	46.5	55.0	65.7	81.0	114°	120°

Wide spray

- Typical applications**
- Washing**
 - Exhaust scrubbers
 - Parts cleaning
 - Pre-treatment for coating process
 - Cooling**
 - Exhaust cooling
 - Tank cooling
 - Dust control**
 - Remove dust flying in a mining and coal plants.
 - Other applications**
 - Spray of chemicals
 - Fire engineering

Nozzle type	RF inch	H mm	WS mm	W kg
BA Female	1/8"	30	14	0.03
	1/4"	37	17	0.04
	3/8"	46	19	0.07
	1/2"	57	25	0.20

Nozzle type	RG inch	H mm	WS mm	W kg
BC Male	1/8"	32	14	0.02
	1/4"	39	17	0.04
	3/8"	47	19	0.07
	1/2"	57	25	0.20

Dimensions & weights

HOW TO MAKE UP THE NOZZLE CODE
 EX.: BAQ 0740 B1

